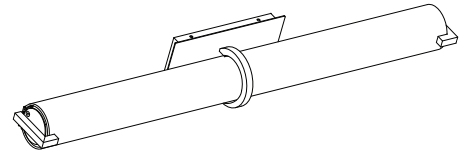




Assembly and Installation Instructions for Model's

20092/3WV



CAUTION - RISK OF FIRE

Installation of this fixture should be done by a licensed electrician or by a person familiar with local electrical codes and the construction and operation of this fixture.

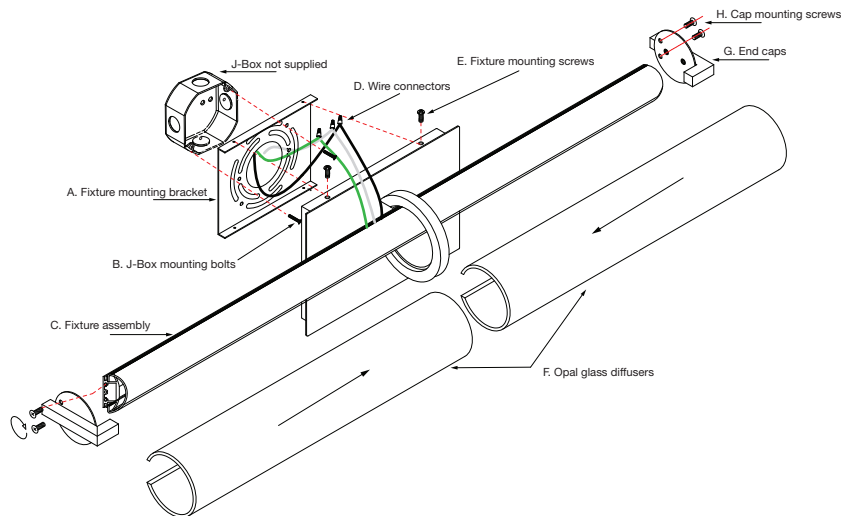
Warning please make sure the electrical breaker is shut off before commencing with this installation

Read and familiarize yourself with these instructions before commencing

This fixture is certified for wall mounting only and is suitable for Damp locations and dimmable with a Triac Dimmer

The fixture uses a 120v A/C LED panel which is supplied with a clear glass cover plate, no driver required

| Package Contents | | |
|------------------|----------------------------|-----|
| Part | Description | Qty |
| A | Mounting bracket | 1 |
| B | J-Box mounting bolts | 2 |
| C | Fixture assembly | 1 |
| D | Electrical wire connectors | 3 |
| E | Fixture mounting screws | 4 |
| F | Opal glass diffusers | 2 |
| G | End caps | 2 |
| H | End cap mounting screws | 4 |



Installing the fixture *please ensure the electrical breaker is switched off before commencing*

| | | |
|----------|--|--|
| 1 | Attach the supplied mounting bracket (A) with the two supplied mounting bolts (B) to a J-Box, not supplied. Making sure the electrical supply wires from the J-Box are inserted through the mounting bracket. | |
| 2 | Gently attach the glass diffusers (F) by sliding them onto each end of the aluminum bar rail attached to the fixture assembly (C) . Attach the end caps (G) to each end of the fixture assembly (C) and secure with supplied screws (H) . | |
| 3 | Connect the supply wires to the fixture wires using the supplied electrical wire connectors (D) . White supply wire to the White fixture wire, Black supply wire to Black fixture wire and the ground Bare Copper or Green wire to the Green fixture wire. Once the electrical wire connectors are securely fastened it is recommended to tape these connectors with electrical tape. | |
| 4 | Attach the fixture assembly (C) to the mounting bracket (A) and secure with supplied screws (E) | |
| 5 | Switch on the electrical breaker and your new fixture is ready for many years of trouble free use | |

